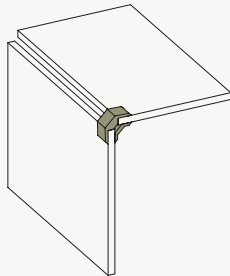
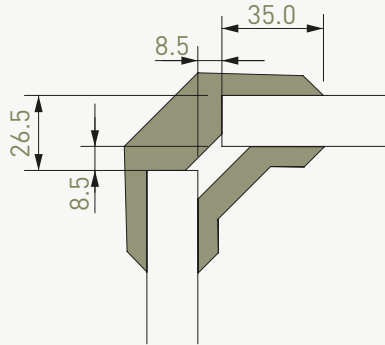


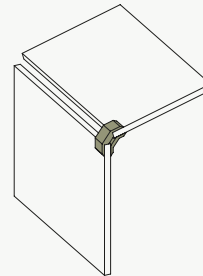
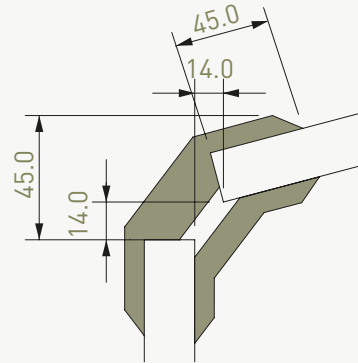
# PLAYWOOD CONNECTORS

## 90° Connector



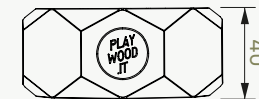
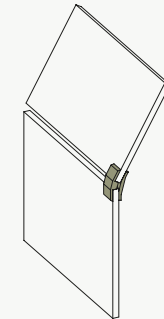
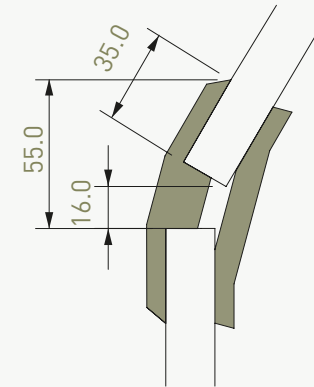
[CLICK TO BUY  
90° CONNECTORS](#)

## 105° Connector



[CLICK TO BUY  
105° CONNECTORS](#)

## 150° Connector



[CLICK TO BUY  
150° CONNECTORS](#)

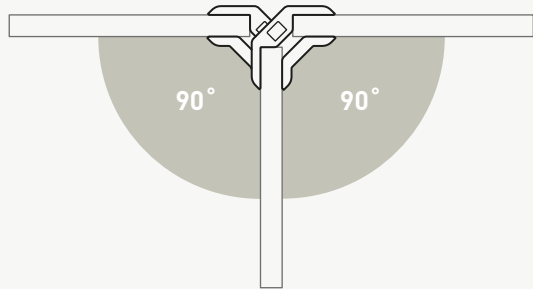
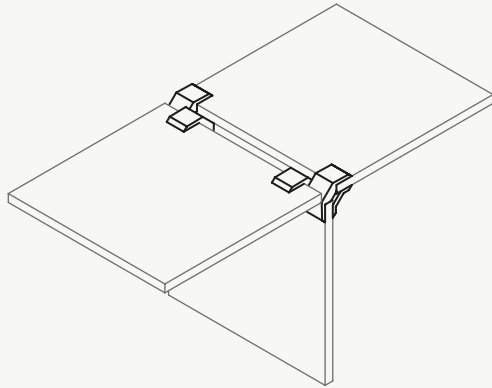
All the panels are **18mm thick**

Dimension in **mm**



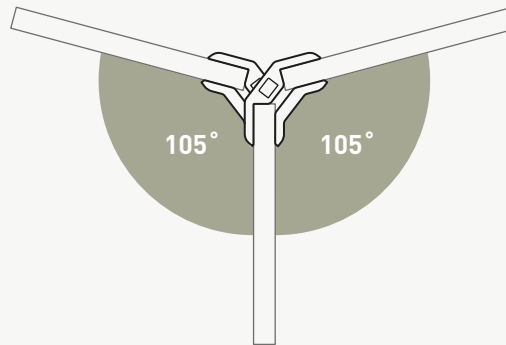
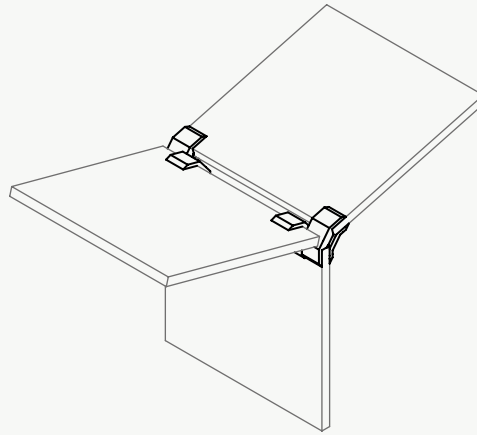
# JUNCTIONS

## T Junction



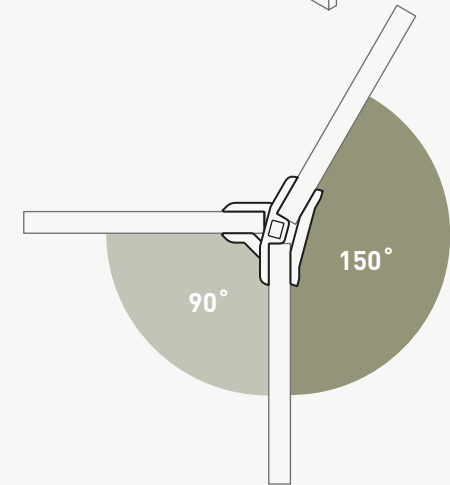
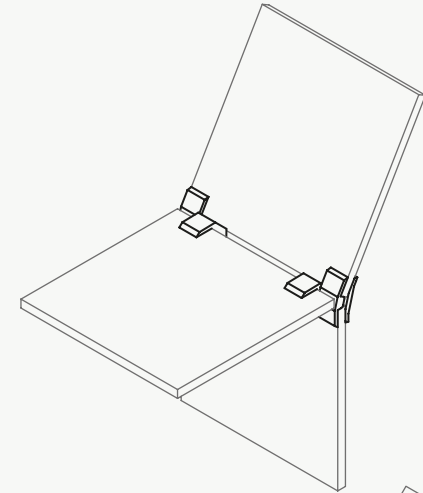
**2 x 90°** Connectors

## Y Junction



**1 x 150°** Connectors

## T/Y Junction

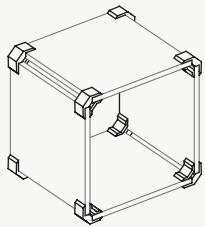
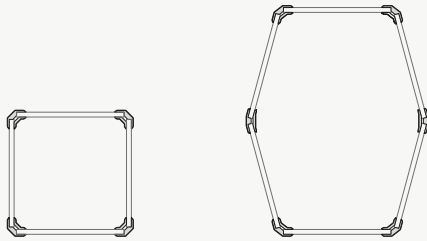


**1 x 90°** Connectors  
**1 x 150°** Connectors

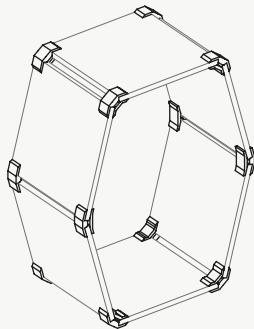


# BASE STRUCTURES & COMBINATIONS

Example 1

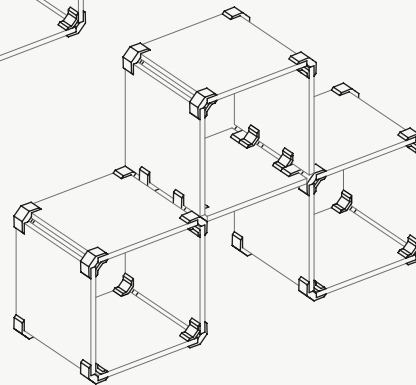
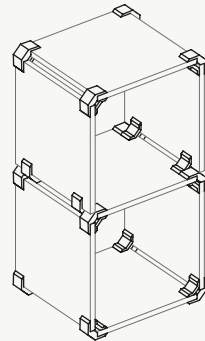
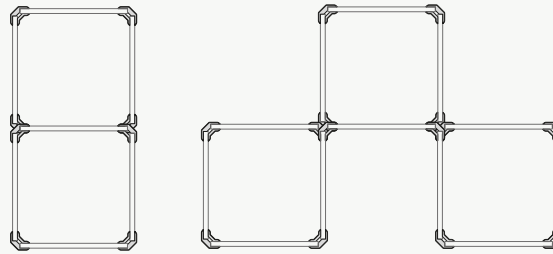


[CLICK TO  
DOWNLOAD](#)



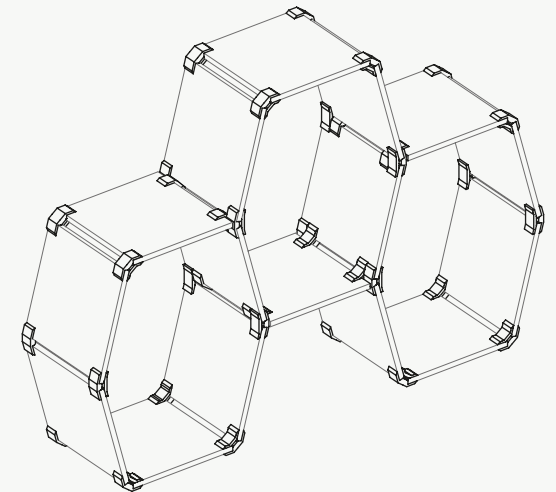
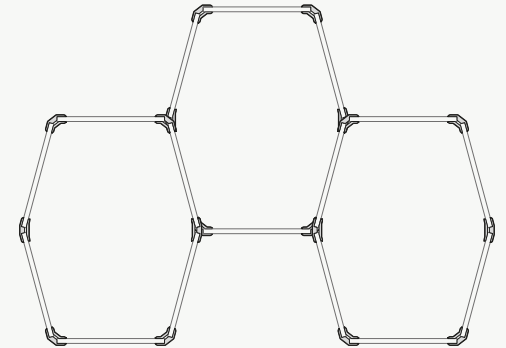
[CLICK TO  
DOWNLOAD](#)

Example 2



[CLICK TO  
DOWNLOAD](#)

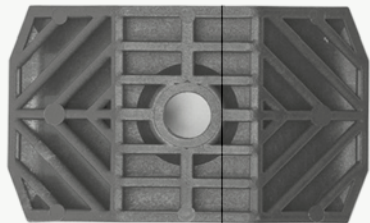
Example 3



[CLICK TO  
DOWNLOAD](#)



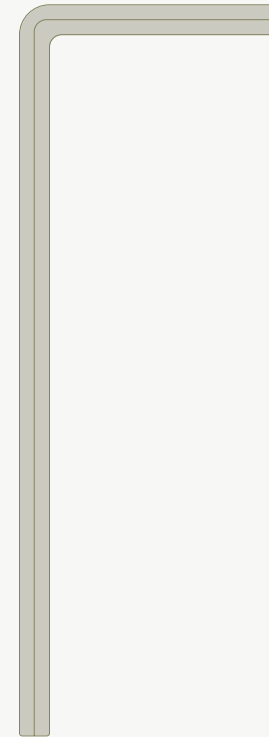
Connector's Components



## Components & Tool



Allen Key n° 5



(suitable for all playwood connectors)

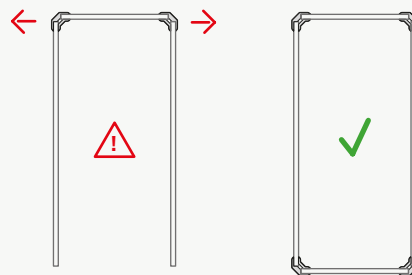


# BEST PRACTICE

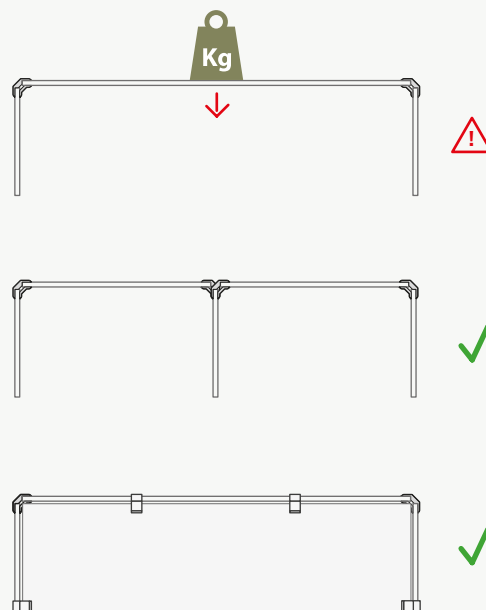
Tested with:



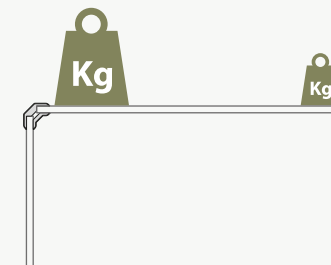
Open structure higher than 50 cm can be unstable



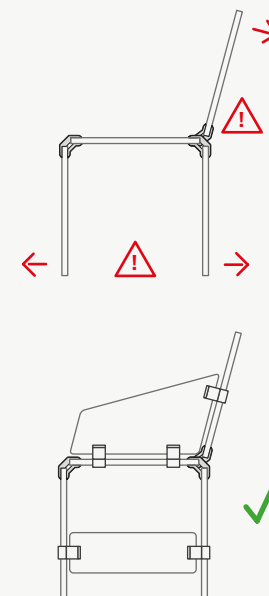
If a plank is too long it can bend unless is supported correctly



Mind the leverages, the structure can collapse

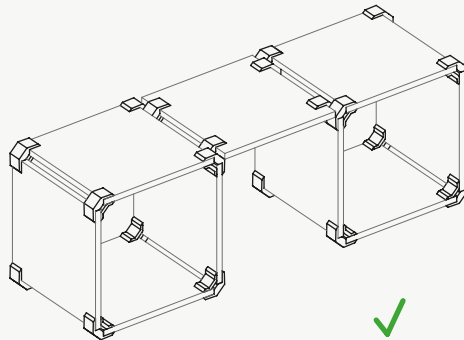
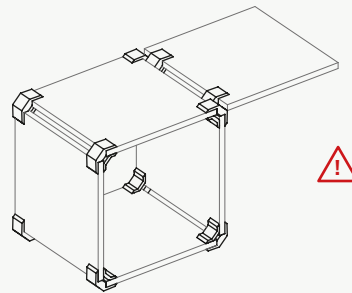
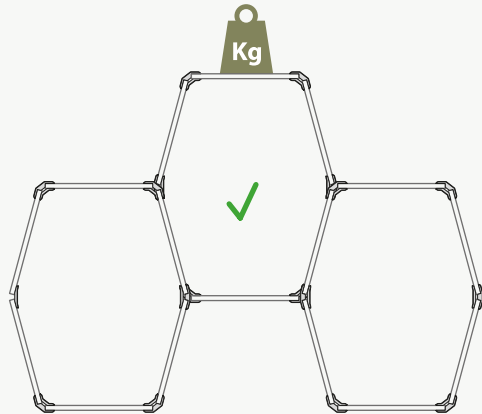
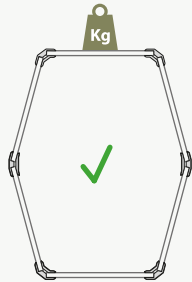


Open structure are often not resistant enough

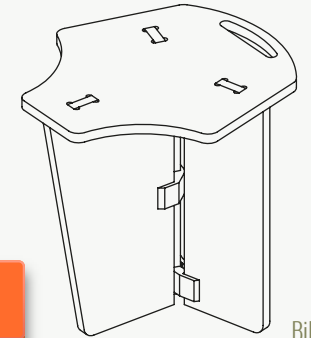


# BEST PRACTICE

Open structures, often, are not resistant enough

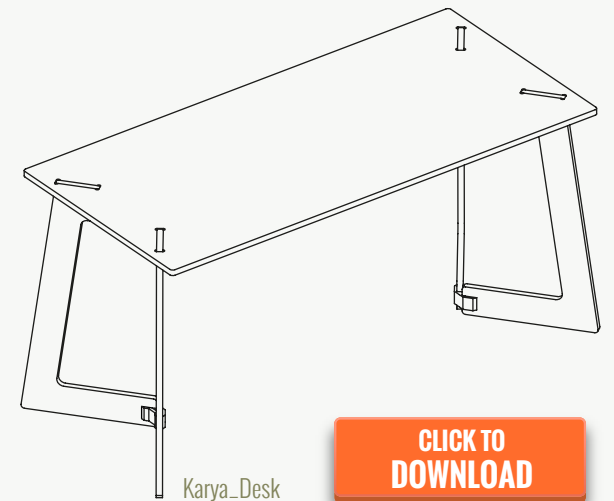


Design example where the weight is not supported by the connectors



Bill\_Stool

[CLICK TO DOWNLOAD](#)



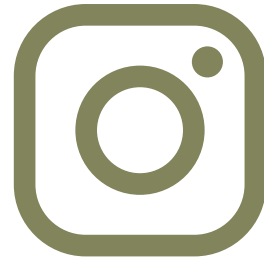
Karya\_Desk

[CLICK TO DOWNLOAD](#)



# SHARE YOUR CREATION

GET A **50% DISCOUNT CODE**,  
IF YOUR PICTURE WILL BE CHOSEN AS  
THE BEST OF THE MONTH



*Instagram*

TO PARTECIPATE USE THIS HASHTAG:

**#PLAYWOOD50**

[INSTAGRAM.COM/PLAYWOOD.IT/](https://www.instagram.com/playwood.it/)

